

Reach-In Solid Door Refrigerators

M3

FEATURES / BENEFITS



M3R24-1



M3R24-2



M3R47-2



M3R47-4

- DIGITAL TEMPERATURE CONTROL SYSTEM
- SELF-DIAGNOSTIC SYSTEM
- DIGITAL TEMPERATURE DISPLAY STANDARD FOR EASY VISIBILITY
- OVERSIZED AND BALANCED REFRIGERATION SYSTEM (R134A), FACTORY SEALED AND PRE-LUBRICATED FOR LONG LIFE
- HOLDS 33°F ~ 38°F
- 400 SERIES STAINLESS STEEL FRONT AND SIDES
- INTERIOR NSF APPROVED COATED ALUMINUM AND 300 SERIES STAINLESS STEEL FLOOR AND CEILING
- FOAMED-IN-PLACE POLYURETHANE HIGH DENSITY CELL INSULATION (CFC FREE)
- ERGONOMICALLY DESIGNED RECESSED DOOR HANDLES STANDARD
- SELF-CONTAINED SYSTEM NO PLUMBING REQUIRED
- ADJUSTABLE, HEAVY DUTY PVC COATED WIRE SHELVES

- * A certificated member of NMSDC
- * CEC. California Energy Commission Certificated
- * MEA. City of New York Building Department Approved



Model	Swing Door	CU./FT.	#of Shelves	HP	AMPS	Weight	L D H
M3R24-1	1	24	3	1/4	6.1	270	28.7 x 30.9 x 78.0
M3R24-2	2	24	3	1/4	6.1	270	28.7 x 30.9 x 78.0
M3R47-2	2	47	6	1/3	9.2	415	51.7 x 30.9 x 78.0
M3R47-4	4	47	6	1/3	9.2	415	51.7 x 30.9 x 78.0
M3R72-3	3	72	9	1/2	11.3	599	77.8 x 30.9 x 78.0
M3R72-6	6	72	9	1/2	11.3	599	77.8 x 30.9 x 78.0

- Depth does not include 1-3/8" for rear condensate enclosure.
- Height does not include 4" caster height or 6" optional legs.
- Design and specifications subject to change without notice.

Reach-In Solid Door Refrigerators

M3

FEATURES / BENEFITS



M3R72-3



M3R72-6

- STANDARD BACKGUARD IMPROVES AIRFLOW
- INCANDESCENT INTERIOR LIGHTING
- 4" DIAMETER SWIVEL CASTERS STANDARD (OPTIONAL 6" LEGS AVAILABLE)
- TOP MOUNT COMPRESSOR
- DOOR LOCKS STANDARD

- * A certificated member of NMSDC
- * CEC. California Energy Commission Certificated
- * MEA. City of New York Building Department Approved



STICK TO _____
WHAT YOU NEED

- 1 Year Parts and Labor Warranty**
- 5 Years Compressor Warranty**

Turbo Air offers additional One-Year Parts & Labor **Extended Warranty** to ensure complete satisfaction to our customers on their purchases. Additional One-Year Parts & Labor Extended Warranty must be purchased within 5 days from invoice date.

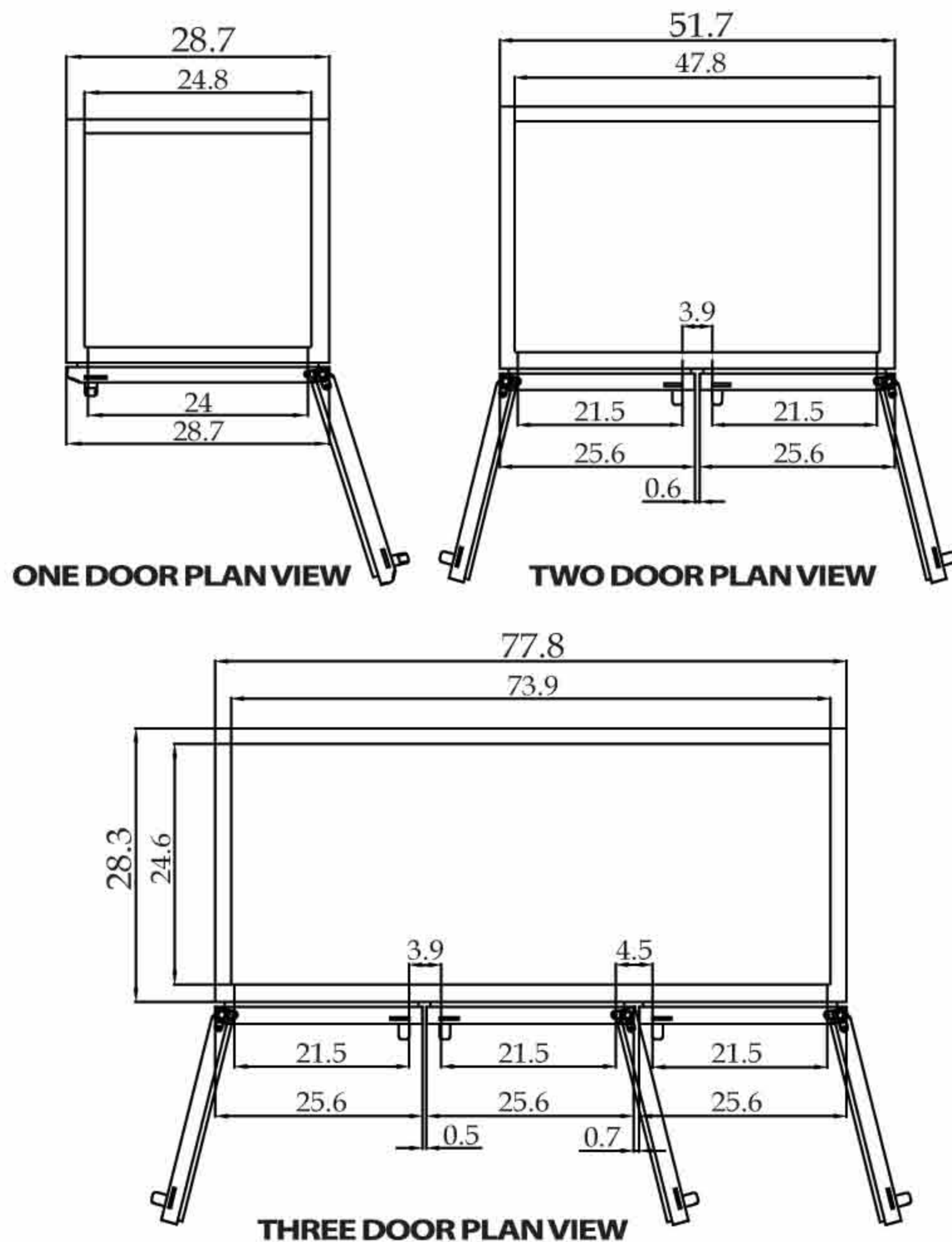
Reach-In Solid Door Refrigerators

M3

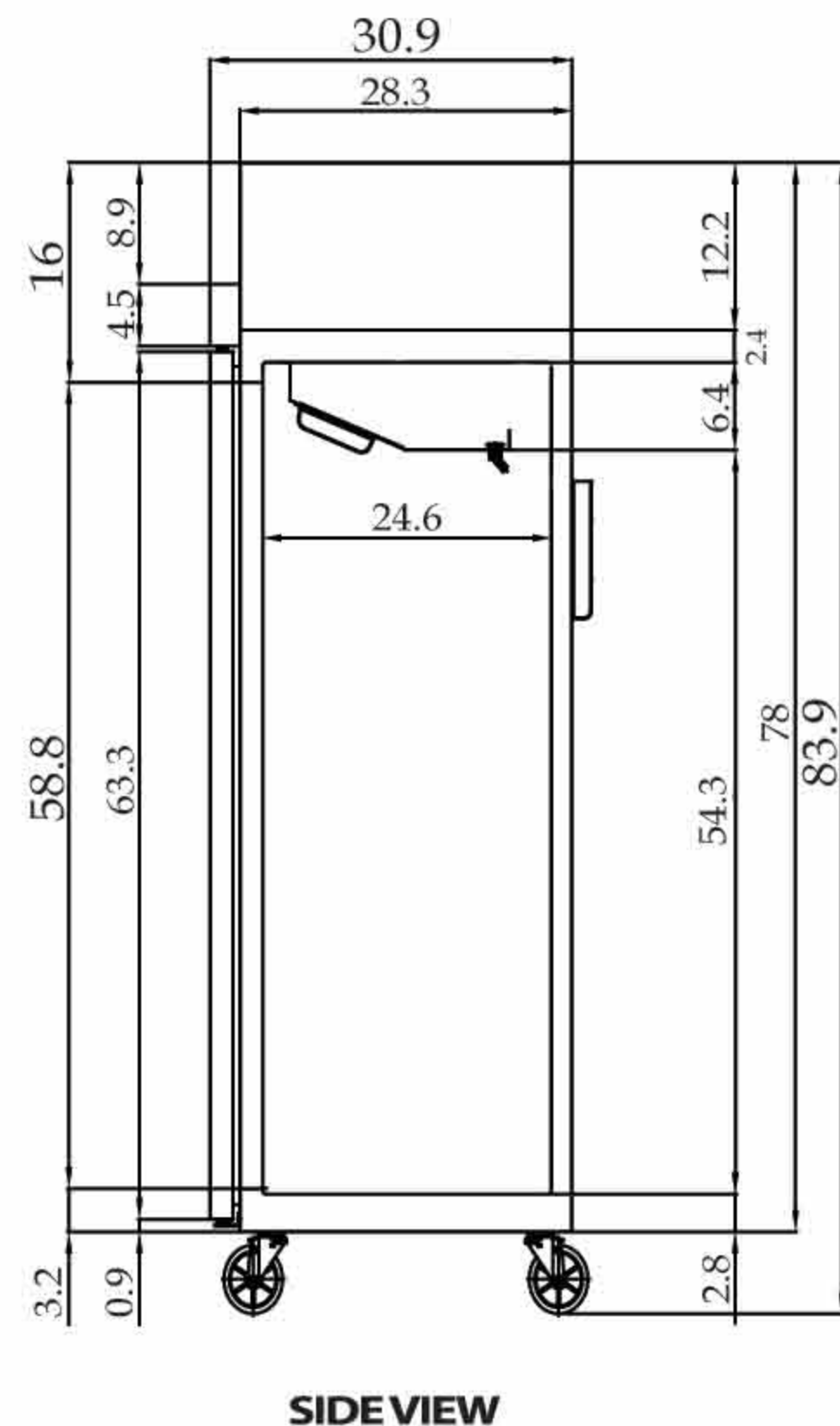
CABINET INTERIOR/EXTERIOR SPECIFICATIONS

ELECTRICAL DATA	M3R24-1	M3R47-2	M3R72-3
Voltage	115/60-1	115/60-1	115/60-1
Feed Wires (with ground)	3	3	4
Amperes	6.1A	9.2A	11.3A
SHIPPING DATA			
Length-Crated (in)	30.3	53.3	79.4
Depth-Crated (in)	35.6	35.6	35.6
Height-Crated (in)	85.8	85.8	85.8
Net Weight (lbs)	270	415	599
DIMENSIONAL DATA			
# of Doors	1	2	3
Cubic Feet	24	47	72
Rack Capacity	1	2	3
Length Overall (in)	28.7	51.7	77.8
Depth Overall (in)	30.9	30.9	30.9
Height Overall (in)(with caster)	83.9	83.9	83.9
Interior Dimension (LxDxH)	24.8x24.6x60.7	47.8x24.6x60.7	73.9x24.6x60.7
Shelf Size	23.5x23.7	23.5x23.1	23.5x25.3 23.5x23.1 23.5x25.3
# of Shelves	3	6	9

*Design and specifications subject to change without notice.



(unit : inch)



Reach-In Solid Door Refrigerators

M3

CABINET INTERIOR/EXTERIOR SPECIFICATIONS

ELECTRICAL DATA	M3R24-2	M3R47-4	M3R72-6
Voltage	115/60-1	115/60-1	115/60-1
Feed Wires (with ground)	3	3	4
Amperes	6.1A	9.2A	11.3A
SHIPPING DATA			
Length-Crated (in)	30.3	53.3	79.4
Depth-Crated (in)	35.6	35.6	35.6
Height-Crated (in)	85.8	85.8	85.8
Net Weight (lbs)	270	415	599
DIMENSIONAL DATA			
# of Doors	2	4	6
Cubic Feet	24	47	72
Rack Capacity	1	2	3
Length Overall (in)	28.7	51.7	77.8
Depth Overall (in)	30.9	30.9	30.9
Height Overall (in)(with caster)	83.9	83.9	83.9
Interior Dimension (LxDxH)	24.8x24.6x60.7	47.8x24.6x60.7	73.9x24.6x60.7
Shelf Size	23.5x23.7	23.5x23.1	23.5x25.3 23.5x23.1 23.5x25.3
# of Shelves	3	6	9

*Design and specifications subject to change without notice.

